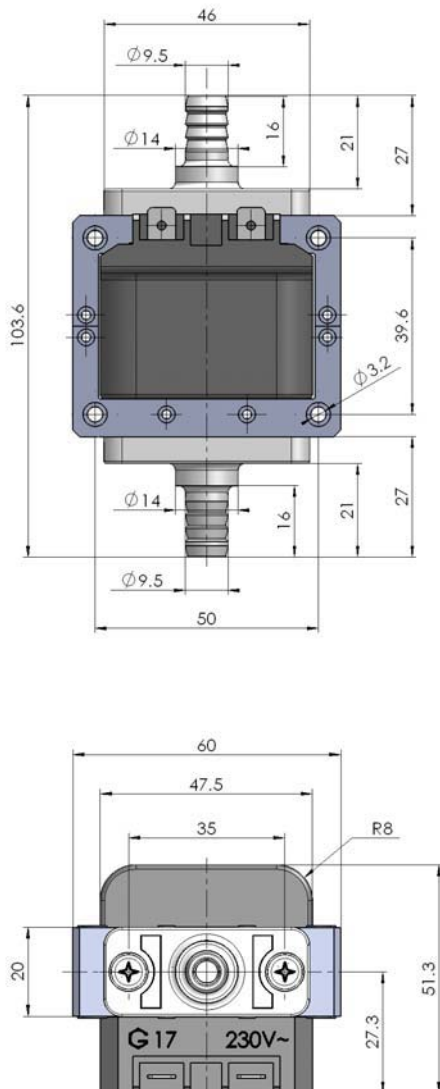
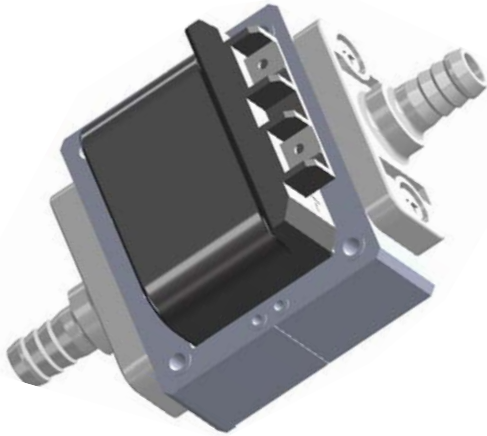


Electromagnetic pump

ETS 17

Technical data



Application fields :

- Industrial appliances
- Household equipment
- Cleaning equipment
- Printing systems
- Lubrication
- Laboratory & medical devices

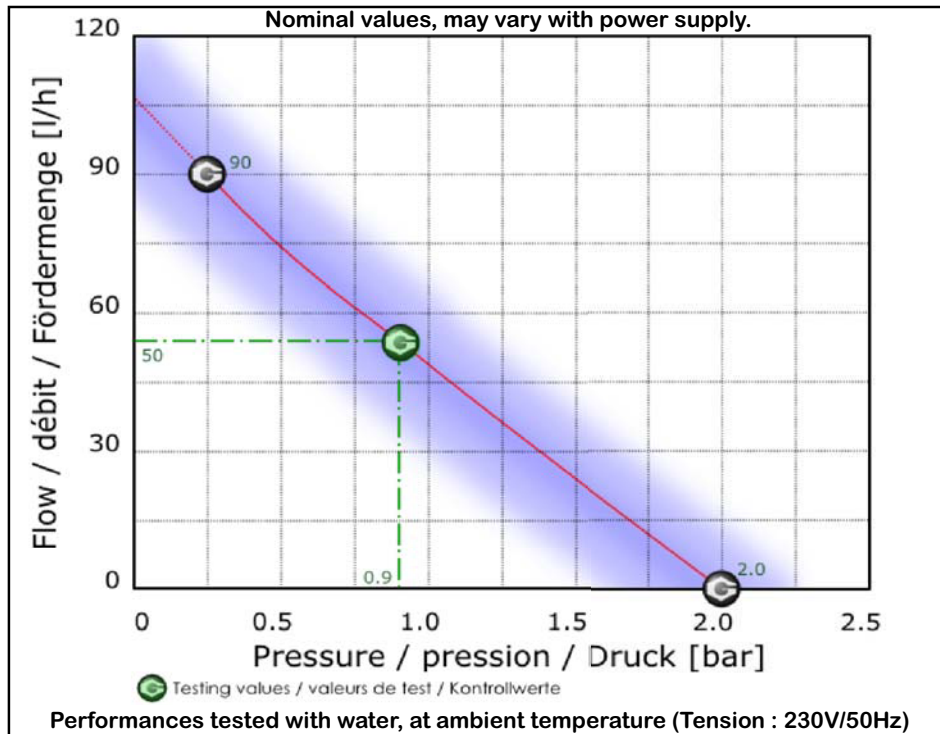
Maybe the most famous pump of our range, then used in every industrial appliances. Can also work with acid or basic mediums or other special solutions. Qualified for all low pressure transfer such as drink dispensers or cooling water flow. It's really THE flowing pump. On the picture the ETS 17 model with POM plastic nozzles for flexible pipes.

Nominal rated data :

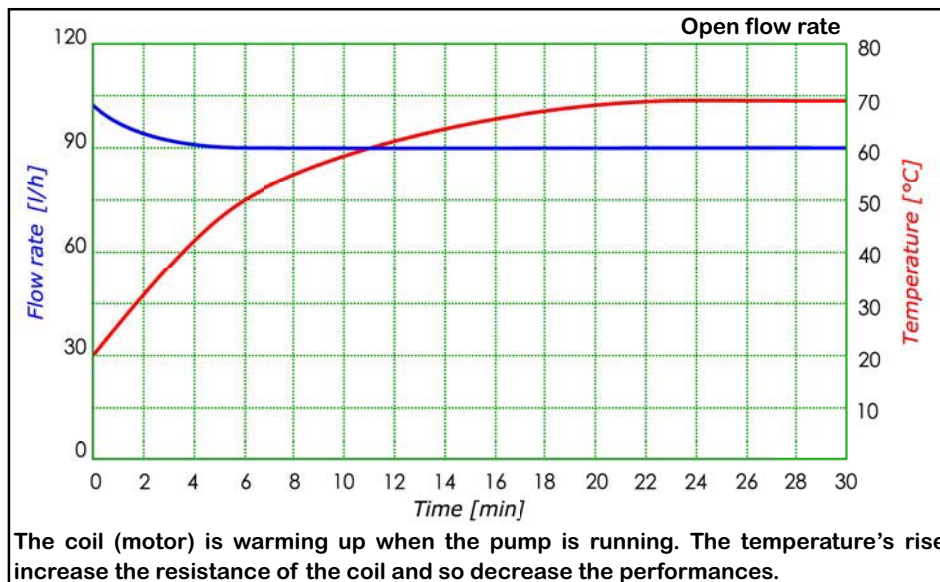
Maximum pressure	: 2 [bar]
Maximum flow rate	: 90 [l/h]
Maximum suction height	: 3 [m]
Viscosity range	: 1...600 [mm ² /s]
Filter	: Mesh 100
Tension	: 230 [V]~ (110 [V], 24 [V], 12 [V])
Frequency	: 50 [Hz], (60 [Hz])
Electrical connection	: 2 x 6.3 [mm] x 0.8 [mm]
Power	: 40 [W]
Weight	: ~480 [g]
Temperature	: 1...50 [°C]
Insulation	: Class F-100% ED / 20°C (Class H on request) Class I (Class II on request)
Noise level (1m)	: Open flow = ~65 [dB(A)] Max. pressure = ~54 [dB(A)]
Approvals	: EC conform to EN60335-1 (ED.4), CB cert. Nr. CH-4364, (UL on request)
EMC	: Conform to 2004/108/EC
RoHS	: Conform to 2002/95/EC



Performances :



Heating & flow :



Additional information :

Materials in contact with the liquid :

Connectors : Hostaform

Piston : 1.4057 + Cr

Springs : 1.4401

Valves tips : NBR

O-ring : NBR

Large choice of materials & options



Electric wiring diagram :

Fuse and diode are necessary

