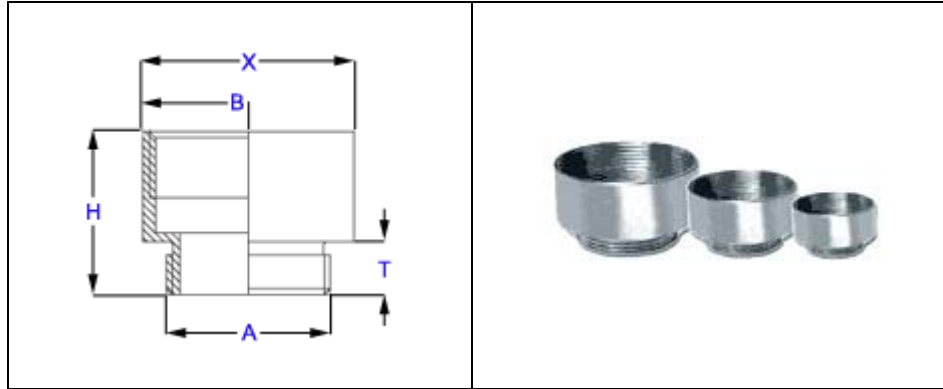


## Nickel Plated Brass Enlargers - PG to PG Threads

Is your thread size off by one size? Well, then these **ENLARGERS** will solve that threading problem. They convert holes which fit NPT / PG / Metric threads to a larger female thread of the same thread type.

The use of a **THREADED ENLARGER** is usually the quickest, easiest & most affordable solution to enlarge the thread size on any threaded connector or plug.



### TECHNICAL INFORMATION

#### SPECIFICATIONS

**MATERIALS:**  
Nickel Plated Brass  
**O-Ring:** Buna-N / Viton® (Optional)

#### OPERATING TEMPERATURE

-40°F to 212°F  
(-40°C to 100°C)

## ENLARGERS - PG to PG THREADS

Part Nr.	Male Thread	Female Thread	Outer Diameter	Thread Length	Height
	A	B	X	T	H
<b>EP-0709-BR</b>	PG 7	PG 9	.67 (17)	.20 (5)	.59 (15)
<b>EP-0911-BR</b>	PG 9	PG 11	.79 (20)	.24 (6)	.65 (16.5)
<b>EP-0913-BR</b>	PG 9	PG 13	.87 (22)	.24 (6)	.69 (17.5)
<b>EP-1113-BR</b>	PG 11	PG 13	.87 (22)	.24 (6)	.69 (17.5)
<b>EP-1116-BR</b>	PG 11	PG 16	.94 (24)	.24 (6)	.73 (18.5)
<b>EP-1121-BR</b>	PG 11	PG 21	1.18 (30)	.24 (6)	.81 (20.5)
<b>EP-1316-BR</b>	PG 13	PG 16	.94 (24)	.26 (6.5)	.75 (19)
<b>EP-1321-BR</b>	PG 13	PG 21	1.18 (30)	.26 (6.5)	.83 (21)
<b>EP-1621-BR</b>	PG 16	PG 21	1.18 (30)	.26 (6.5)	.83 (21)
<b>EP-1629-BR</b>	PG 16	PG 29	1.53 (39)	.26 (6.5)	.88 (22.5)
<b>EP-2129-BR</b>	PG 21	PG29	1.53 (39)	.27 (7)	.91 (23)
<b>EP-2936-BR</b>	PG 29	PG 36	1.97 (50)	.31 (8)	1.08 (27.5)
<b>EP-3642-BR</b>	PG 36	PG 42	2.24 (57)	.35 (9)	1.22 (31)
<b>EP-4248-BR</b>	PG 42	PG 48	2.52 (64)	.39 (10)	1.30 (33)

[ NOTE : TECHNICAL SPECIFICATIONS MAY CHANGE, WITHOUT ANY PRIOR NOTIFICATION ]



NOVAMAX INDUSTRIAL INTL LLC 8200 S Quebec St Suite A-3 Englewood, CO 80112  
Phone (303) 470-7226 Fax (303) 470-5773 Toll-Free 1-800-594-3380 www.novamaxindustrial.com