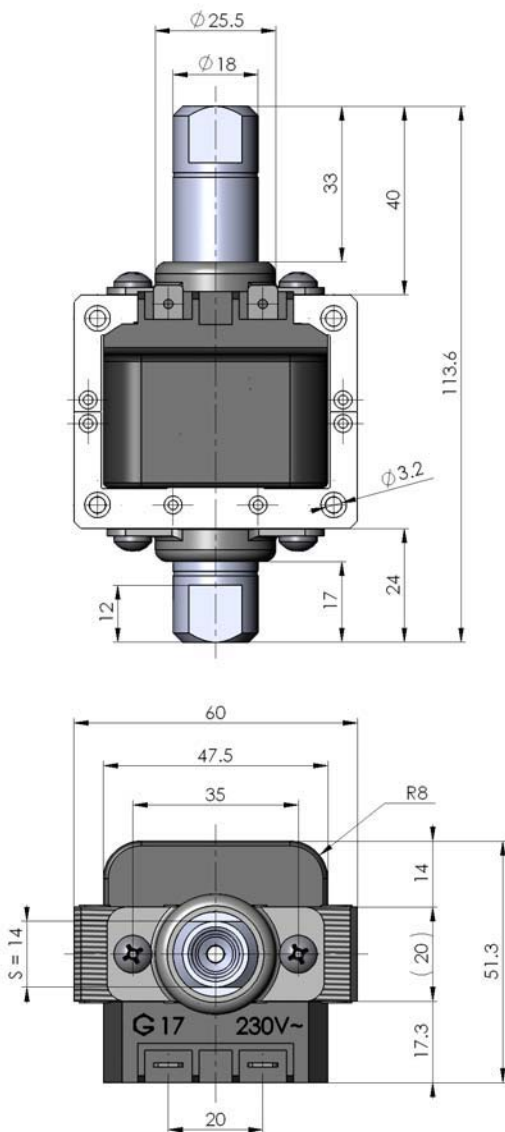


Electromagnetic pump

**ETG 50**

Technical data



Application fields :

- Household equipment
- Laboratory devices
- Cleaning equipment
- Printing systems
- Lubrication

This is a smaller version of the ETS 17, with a lower flow but a slight higher maximal pressure and a great suction level.

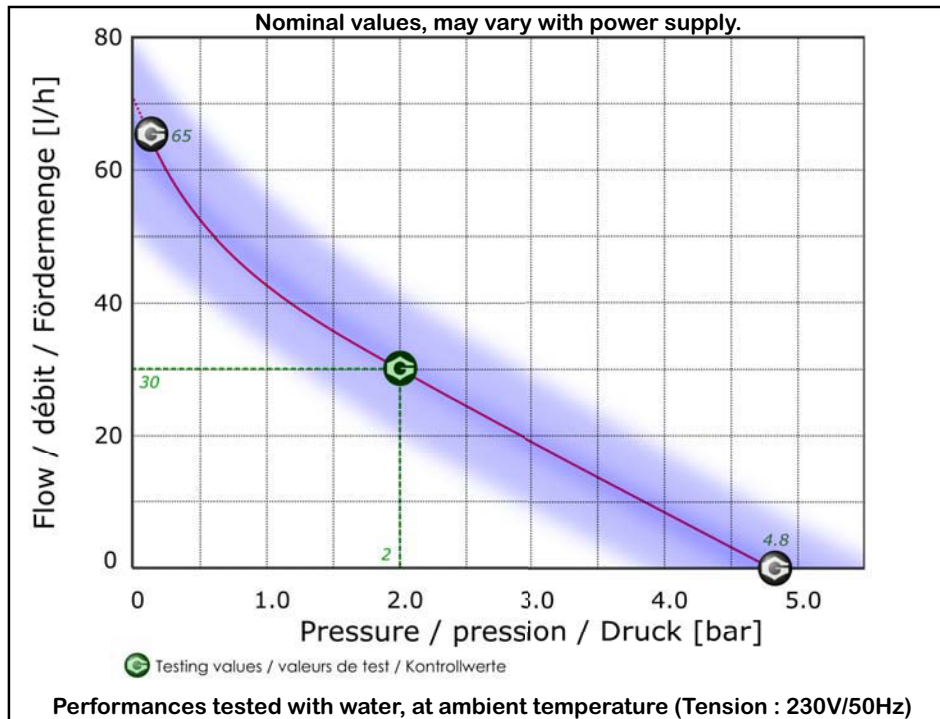
This pump is appreciated in laboratory equipments and printing systems. Its flexible construction can be adapted to different liquid and with different connection ports.

Nominal rated data :

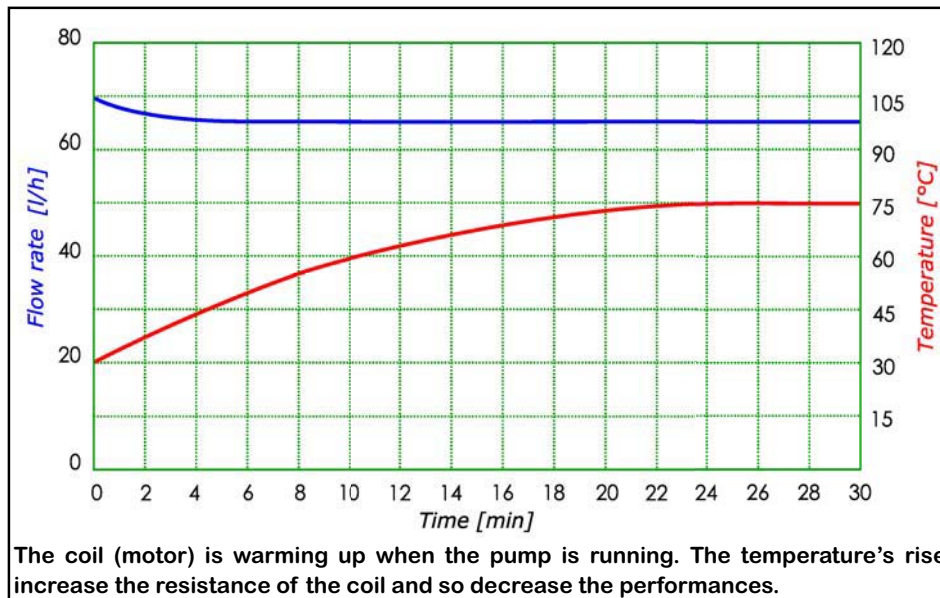
Maximum pressure	: 4.8 [bar]
Maximum flow rate	: 65 [l/h]
Maximum suction height	: 2 [m]
Viscosity range	: 1...600 [mm <sup>2</sup> /s]
Filter	: Mesh 100
Tension	: 230 [V]~ (110 [V], 24 [V],
Frequency	: 50 [Hz], (60 [Hz])
Electrical connection	: 2 x 6.3 [mm] x 0.8 [mm]
Power	: 45 [W]
Weight	: ~560 [g]
Temperature	: 1 [°C]...50 [°C]
Insulation	: Class F-100% ED / 20 [°C] (Class H on request) Class I (class II on request)
Noise level (1m)	: Open flow = ~75 [dB(A)], Max. pressure = ~45 [dB(A)]
Approvals	: EC conform to EN60335-1 (ED.4), CB cert. Nr. CH-4364, (UL on request)
EMC	: Conform to 2004/108/EC
RoHS	: Conform to 2002/95/EC



## Performances :



## Heating & flow :



## Additional information :

### Materials in contact with the liquid :

Connectors : 1.4305  
 Piston : 1.4057 + Cr  
 Springs : 1.4401  
 Valves tips : NBR  
 O-ring : NBR

*Large choice of materials & options*



### Electric wiring diagram :

Fuse and diode are necessary

