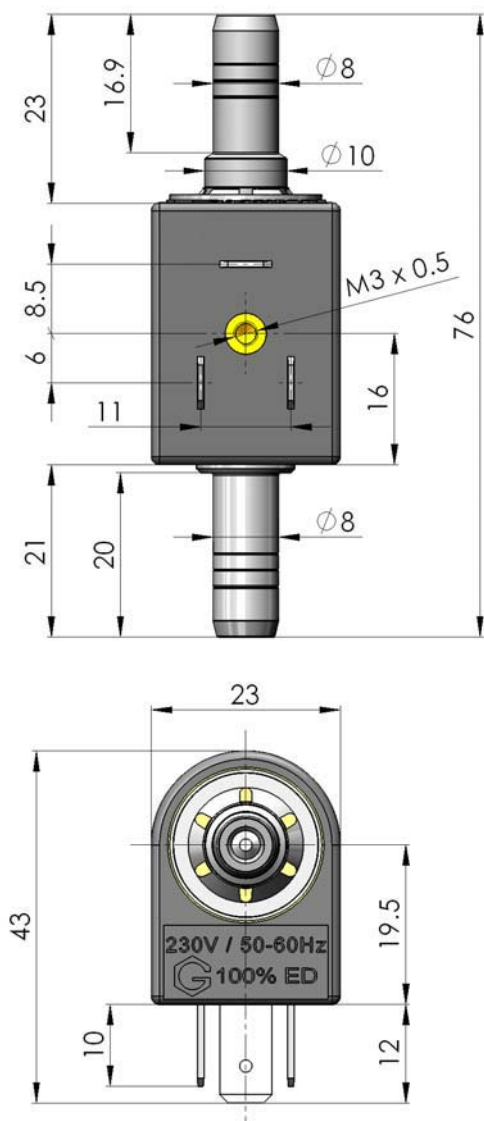


Electromagnetic pump

EMX 08

Technical data



Application fields :

- Medical and laboratory devices
- Cleaning equipment
- Printing systems
- Lubrication
- Household equipments
- Drink dispensing

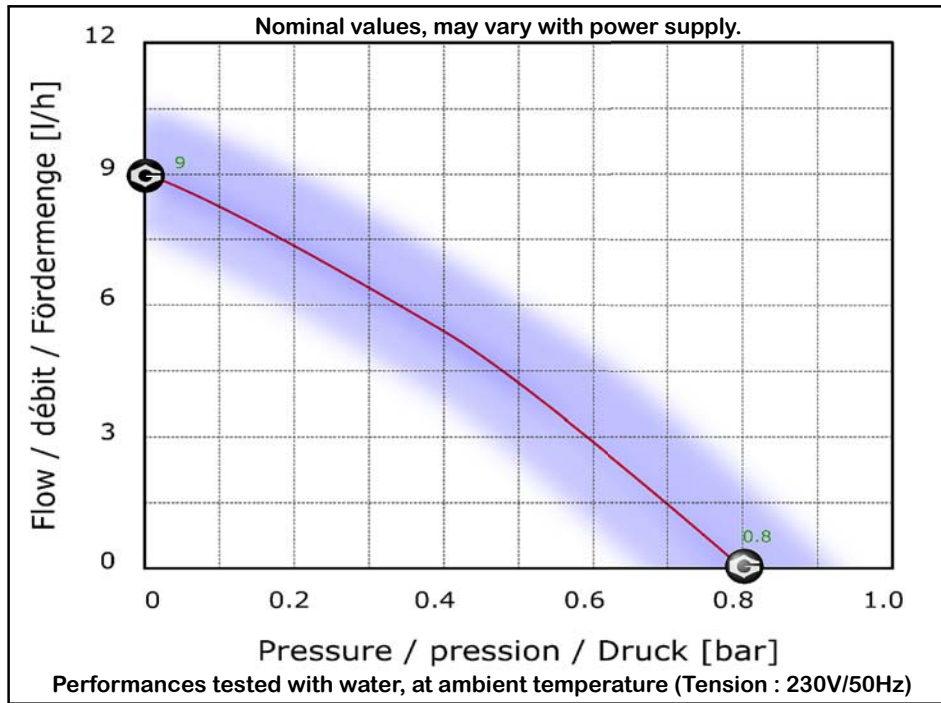
The EMX pumps open a new way for small pumps with outstanding performances. The construction is very unique, only stainless steel and PTFE are in contact with the liquid. Its universality makes it as a must for high-tech applications as for example printing systems with their variety of inks of different natures !

Nominal rated data :

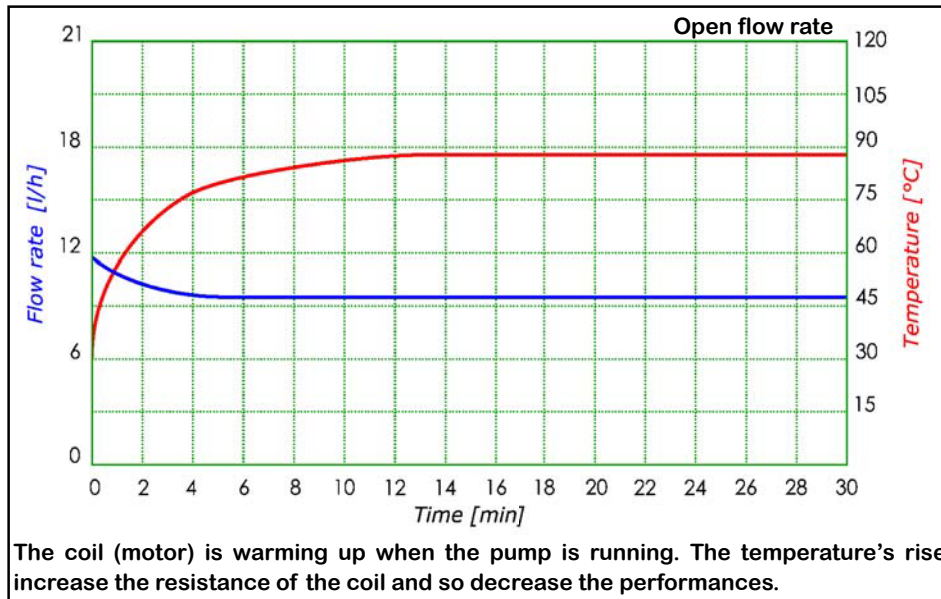
Maximum pressure	: 0.8 [bar]
Maximum flow rate	: 9 [l/h]
Maximum suction height	: 3 [m]
Viscosity range	: 1...600 [mm ² /s]
Filter	: Mesh 100
Tension	: 230 [V]~ (110 [V], 24 [V], 12 [V])
Frequency	: 50 [Hz], (60 [Hz])
Electrical connection	: 3 x 6.3 [mm] x 0.8 [mm]
Power	: 18 [W]
Weight	: 95 [g]
Temperature	: 1°...50 [°C]
Insulation	: Class F-100% ED / 20 [°C] (Class H on request) Class I
Noise level (1m)	: open flow = ~35 [dB(A)], Max. pressure = ~29 [dB(A)]
Approvals	: EC conform to EN60335-1 (ED.4), CB cert. Nr. CH-4364, (UL on request)
EMC	: Conform to 2004/108/EC
RoHS	: Conform to 2002/95/EC



Performances :



Heating & flow :



Additional information :

Materials in contact with the liquid :

Body & connectors : 1.4057

Piston : 1.4057-Cr

Springs : 1.4401

Valves tips : PTFE

Large choice of materials & options



Electric wiring diagram :

Fuse and diode are necessary

