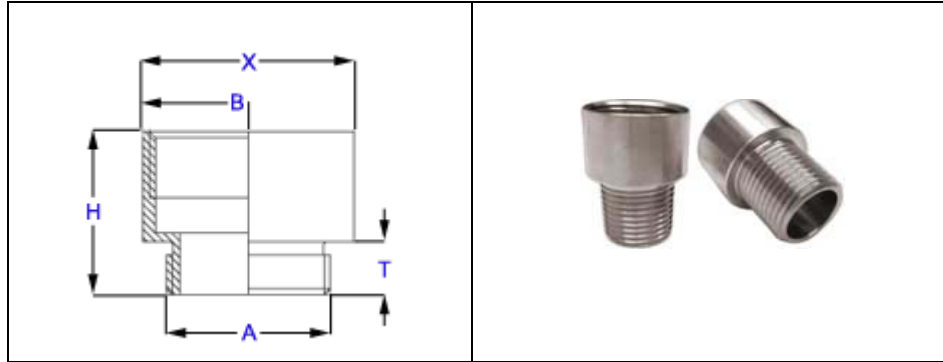


Nickel Plated Brass Enlargers - NPT to NPT Threads

Is your thread size off by one size? Well, then these **ENLARGERS** will solve that threading problem. They convert holes which fit NPT / PG / Metric threads to a larger female thread of the same thread type.

The use of a **THREADED ENLARGER** is usually the quickest, easiest & most affordable solution to enlarge the thread size on any threaded connector or plug.



TECHNICAL INFORMATION

SPECIFICATIONS

MATERIALS:
Nickel Plated Brass
O-Ring: Buna-N / Viton® (Optional)

OPERATING TEMPERATURE

-40°F to 212°F
(-40°C to 100°C)

ENLARGERS - NPT to NPT THREADS

Part Nr.	Male Thread	Female Thread	Outer Diameter	Thread Length	Height
	A	B	X	T	H
EN-1234-BR	1/2" NPT	3/4" NPT	1.14 (29)	.79 (20)	1.50 (38)
EN-1210-BR	1/2" NPT	1" NPT	1.38 (35)	.79 (20)	1.26 (32)
EN-3410-BR	3/4" NPT	1" NPT	1.38 (35)	.71 (18)	1.69 (43)
EN-1054-BR	1" NPT	1-1/4" NPT	1.73 (44)	.98 (25)	1.97 (50)

[NOTE : TECHNICAL SPECIFICATIONS MAY CHANGE, WITHOUT ANY PRIOR NOTIFICATION]



NOVAMAX INDUSTRIAL INTL LLC 8200 S Quebec St Suite A-3 Englewood, CO 80112
Phone (303) 470-7226 Fax (303) 470-5773 Toll-Free 1-800-594-3380 www.novamaxindustrial.com

