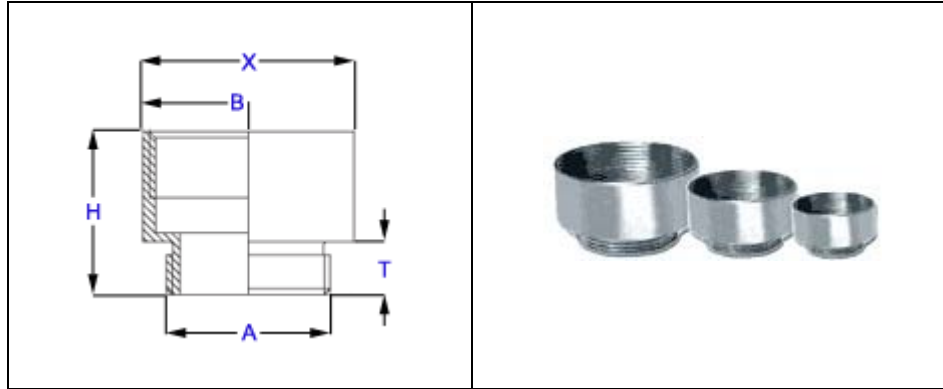


Nickel Plated Brass Enlargers - METRIC to METRIC Threads

Is your thread size off by one size? Well, then these **ENLARGERS** will solve that threading problem. They convert holes which fit NPT / PG / Metric threads to a larger female thread of the same thread type.

The use of a **THREADED ENLARGER** is usually the quickest, easiest & most affordable solution to enlarge the thread size on any threaded connector or plug.



TECHNICAL INFORMATION

SPECIFICATIONS

MATERIALS:
Nickel Plated Brass
O-Ring: Buna-N / Viton® (Optional)

OPERATING TEMPERATURE

-40°F to 212°F
(-40°C to 100°C)

ENLARGERS - METRIC to METRIC THREADS

Part Nr.	Male Thread	Female Thread	Outer Diameter	Thread Length	Height
	A	B	X	T	H
EM-1216-BR	M12 x 1,5	M16 x 1,5	.71 (18)	.20 (5)	.59 (15)
EM-1620-BR	M16 x 1,5	M20 x 1,5	.87 (22)	.24 (6)	.69 (17.5)
EM-2025-BR	M20 x 1,5	M25 x 1,5	1.06 (27)	.26 (6.5)	.75 (19)
EM-2532-BR	M25 x 1,5	M32 x 1,5	1.34 (34)	.26 (6.5)	.83 (21)
EM-3240-BR	M32 x 1.5	M40 x 1,5	1.65 (42)	.27 (7)	.91 (23)
EM-4050-BR	M40 x 1,5	M50 x 1,5	2.09 (53)	.35 (9)	1.22 (31)
EM-5063-BR	M50 x 1,5	M63 x 1,5	2.60 (66)	.35 (9)	1.22 (31)

[NOTE : TECHNICAL SPECIFICATIONS MAY CHANGE, WITHOUT ANY PRIOR NOTIFICATION]



NOVAMAX INDUSTRIAL INTL LLC 8200 S Quebec St Suite A-3 Englewood, CO 80112
Phone (303) 470-7226 Fax (303) 470-5773 Toll-Free 1-800-594-3380 www.novamaxindustrial.com