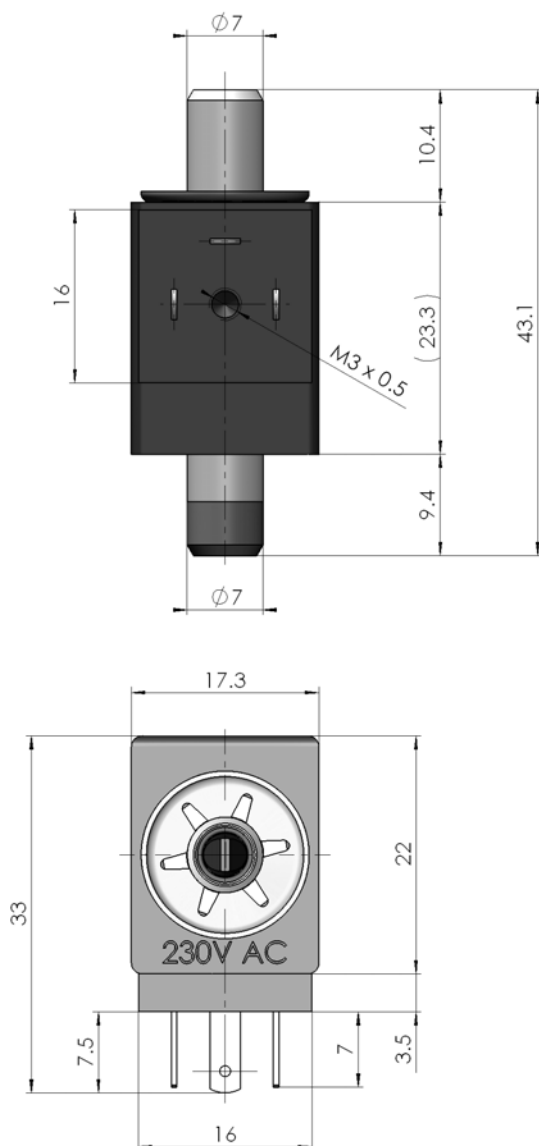


Electromagnetic pump

ESX 04

Technical data



Application fields :

- Medical and laboratory devices
- Printing systems
- Lubrication
- Household equipments

The ESX 04 is simply the smallest electromagnetic pump on the market.

Small, light, silent and runs cool, How did we to pack so many advantages in such tiny pump ?

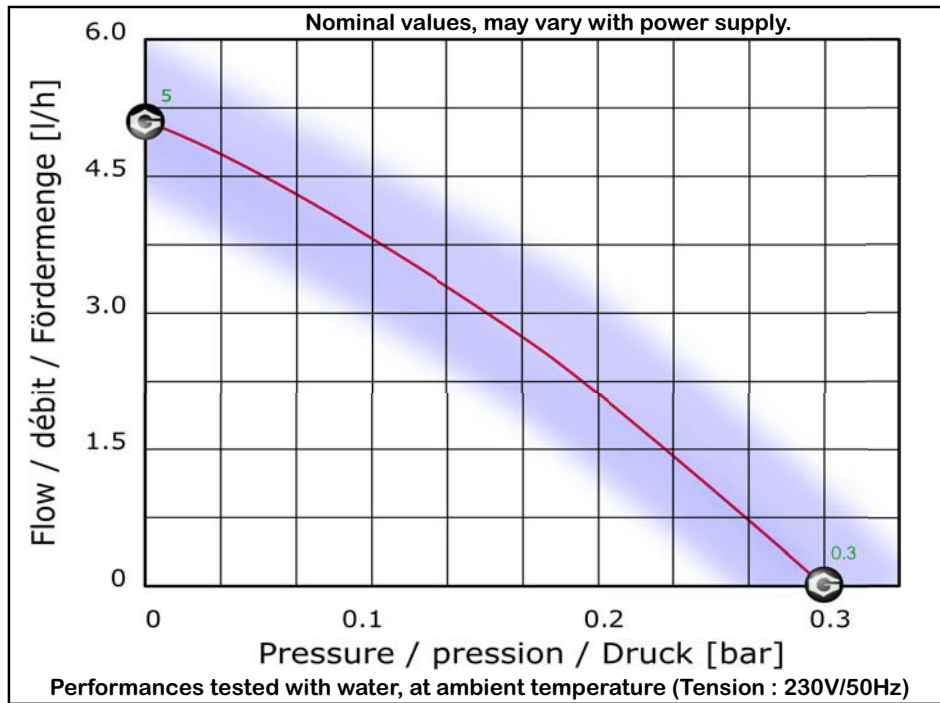
A small but powerfull pump on which you can rely for portable appliances or batteries powered.

Nominal rated data :

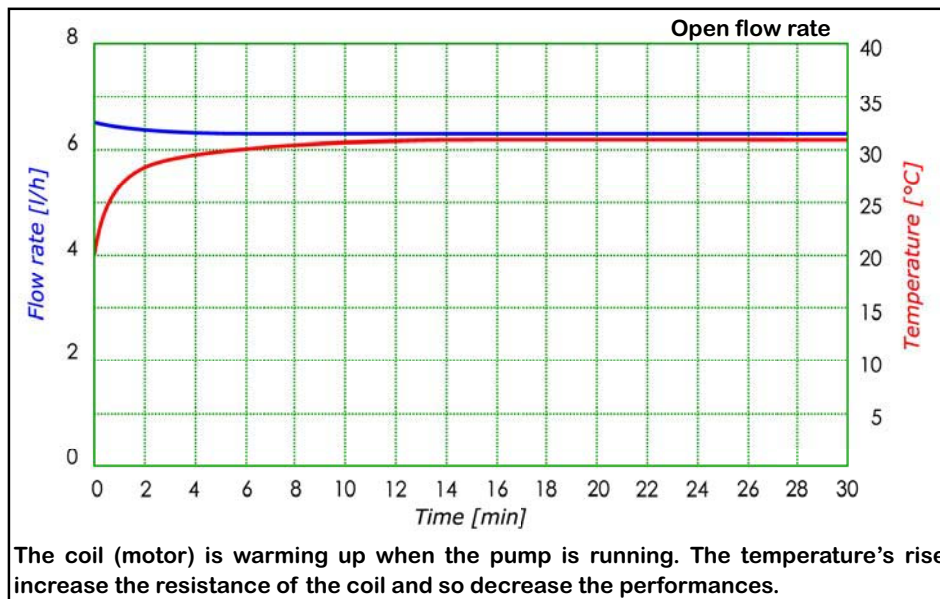
Maximum pressure	: 0.3 [bar]
Maximum flow rate	: 5 [l/h]
Maximum suction height	: 0.3 [m]
Viscosity range	: 1...600 [mm ² /s]
Filter	: Mesh 100
Tension	: 230[V]~ (110[V], 24[V], 12[V])
Frequency	: 50 [Hz], (60 [Hz])
Electrical connection	: 3 x 2.8 [mm] x 0.5 [mm]
Power	: 5 [W]
Weight	: ~35 [g]
Temperature	: 1...50 [°C]
Insulation	: Class F-100% ED / 20 [°C] Class I
Approvals	: EC conform to EN60335-1 (ED.4), CB cert. Nr. CH-4364 (UL on request)
EMC	: Conform to 2004/108/EC
RoHS	: Conform to 2002/95/EC



Performances :



Heating & flow :



Additional information :

Materials in contact with the liquid :

Body & connectors : 1.4057

Piston : 1.4057

Springs : 1.4401

Valves tips : EPDM

Large choice of materials & options



Electric wiring diagram :

Fuse and diode are necessary

