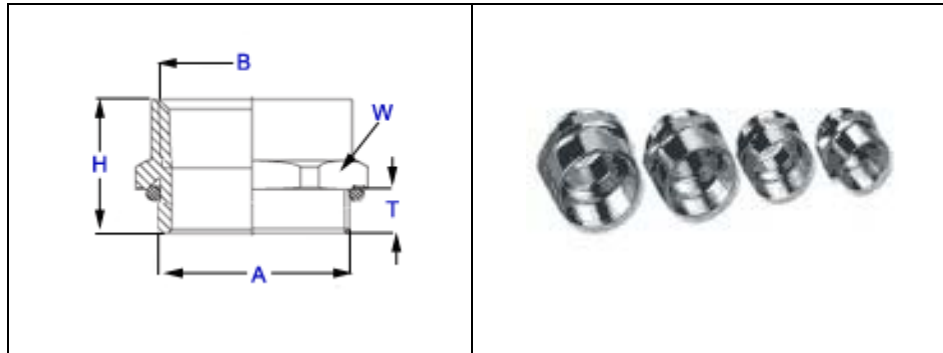


Nickel Plated Brass Adapters – METRIC to NPT Threads

These **ADAPTERS** will allow you to switch between NPT, PG & Metric threads to fit your specific application needs. The use of a **THREADED ADAPTER** is usually the quickest, easiest & most affordable solution to adapt, reduce or enlarge the thread size on any threaded connector or plug.



TECHNICAL INFORMATION

SPECIFICATIONS

MATERIALS: Nickel Plated Brass
O-Ring: Buna-N / Viton® (Optional)

OPERATING TEMPERATURE

-40°F to 212°F
 (-40°C to 100°C)

ADAPTERS - METRIC to NPT THREADS

Part Nr.	Male Thread	Female Thread	Wrench Flats	Thread Length	Height
	A	B	W	T	H
AM-1612-BR	M16 x 1.5	1/2" NPT	.94 (24)	.24 (6)	.91 (23)
AM-2012-BR	M20 x 1.5	1/2" NPT	.94 (24)	.24 (6)	.91 (23)
AM-2512-BR	M25 x 1.5	1/2" NPT	1.18 (30)	.27 (7)	.59 (15)
AM-2534-BR	M25 x 1.5	3/4" NPT	1.18 (30)	.27 (7)	1.02 (26)
AM-3210-BR	M32 x 1.5	1" NPT	1.57 (40)	.31 (8)	1.30 (33)
AM-3254-BR	M32 x 1.5	1-1/4" NPT	1.77 (45)	.31 (8)	1.30 (33)

[NOTE : TECHNICAL SPECIFICATIONS MAY CHANGE, WITHOUT ANY PRIOR NOTIFICATION]



NOVAMAX INDUSTRIAL INTL LLC 8200 S Quebec St Suite A-3 Englewood, CO 80112
 Phone (303) 470-7226 Fax (303) 470-5773 Toll-Free 1-800-594-3380 www.novamaxindustrial.com

