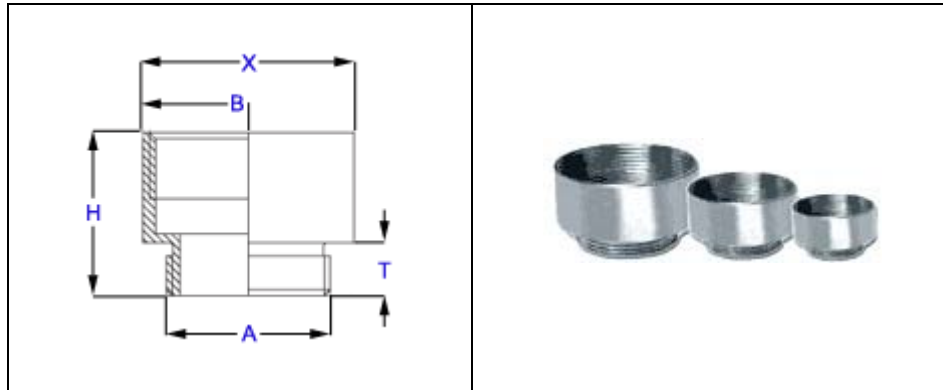


## Nickel Plated Brass Adapters - METRIC to PG Threads

These **ADAPTERS** will allow you to switch between NPT, PG & Metric threads to fit your specific application needs. The use of a **THREADED ADAPTER** is usually the quickest, easiest & most affordable solution to adapt, reduce or enlarge the thread size on any threaded connector or plug.



### TECHNICAL INFORMATION

#### SPECIFICATIONS

**MATERIALS:** Nickel Plated Brass  
**O-Ring:** Buna-N / Viton® (Optional)

#### OPERATING TEMPERATURE

-40°F to 212°F  
 (-40°C to 100°C)

## ADAPTERS - METRIC to PG THREADS

Part Nr.	Male Thread	Female Thread	Outer Diameter	Thread Length	Height
	A	B	X	T	H
<b>AF-1609-BR</b>	M16 x 1,5	PG 9	.79 (20)	.24 (6)	.41 (10.5)
<b>AF-2011-BR</b>	M20 x 1,5	PG 11	.87 (22)	.26 (6.5)	.49 (12.5)
<b>AF-2013-BR</b>	M20 x 1,5	PG 13	.87 (22)	.26 (6.5)	.49 (12.5)
<b>AF-2016-BR</b>	M20 x 1,5	PG 16	.94 (24)	.26 (6.5)	.49 (12.5)
<b>AF-2516-BR</b>	M25 x 1,5	PG 16	1.10 (28)	.26 (6.5)	.49 (12.5)
<b>AF-2521-BR</b>	M25 x 1,5	PG 21	1.18 (30)	.26 (6.5)	.57 (14.5)
<b>AF-3229-BR</b>	M32 x 1,5	PG 29	1.54 (39)	.28 (7)	.63 (16)

[ NOTE : TECHNICAL SPECIFICATIONS MAY CHANGE, WITHOUT ANY PRIOR NOTIFICATION ]



**NOVAMAX INDUSTRIAL INTL LLC** 8200 S Quebec St Suite A-3 Englewood, CO 80112  
 Phone (303) 470-7226 Fax (303) 470-5773 Toll-Free 1-800-594-3380 [www.novamaxindustrial.com](http://www.novamaxindustrial.com)

