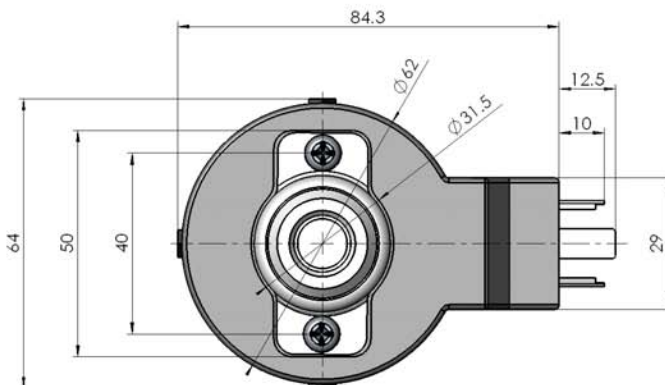
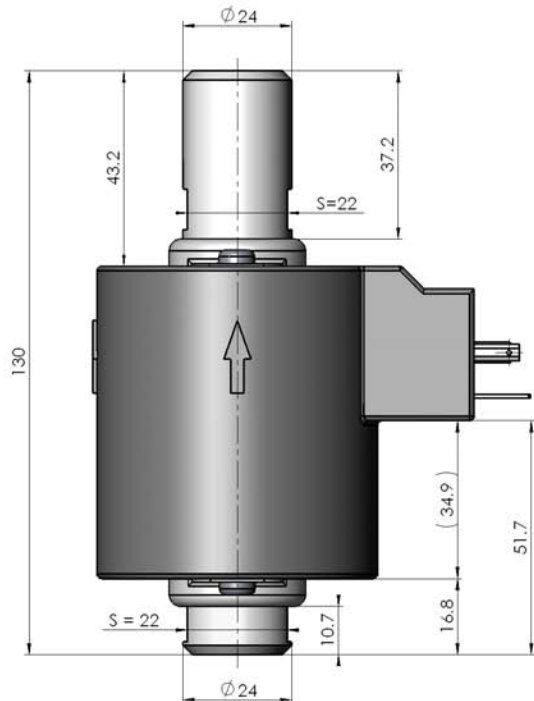


Electromagnetic pump

EBQ 120

Technical data



Application fields :

- Household equipment
- Laboratory devices
- Cleaning equipment
- Printing systems
- Lubrication

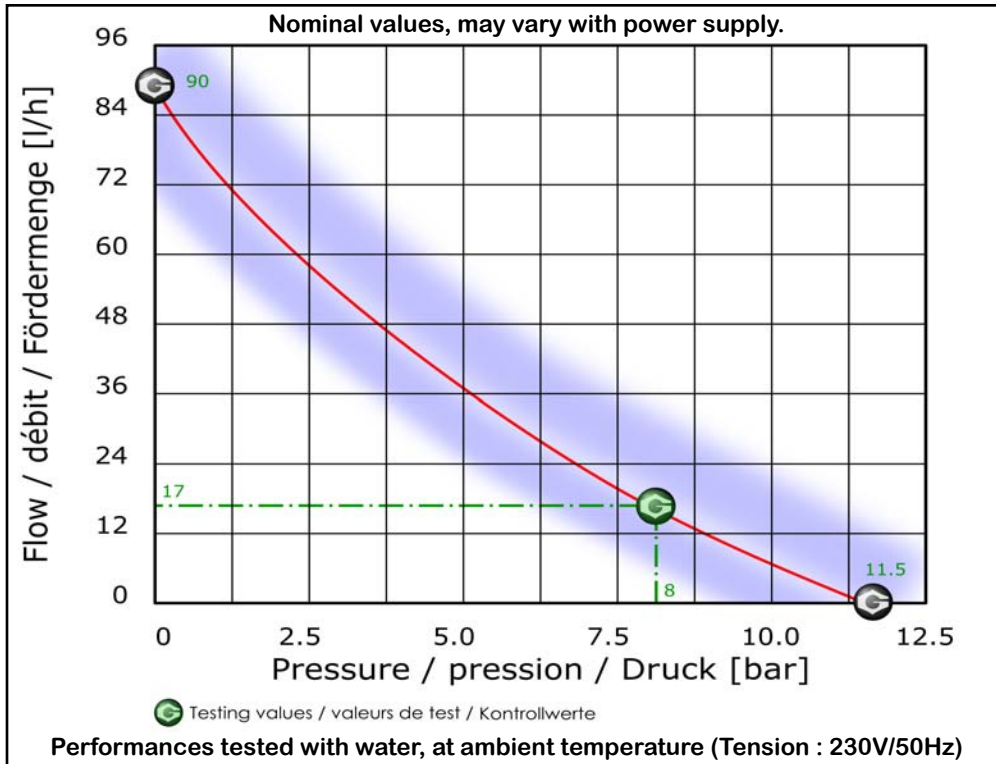
The pump for applications requesting good flow on a pressure range from 2 to 10 [bar].

Nominal rated data :

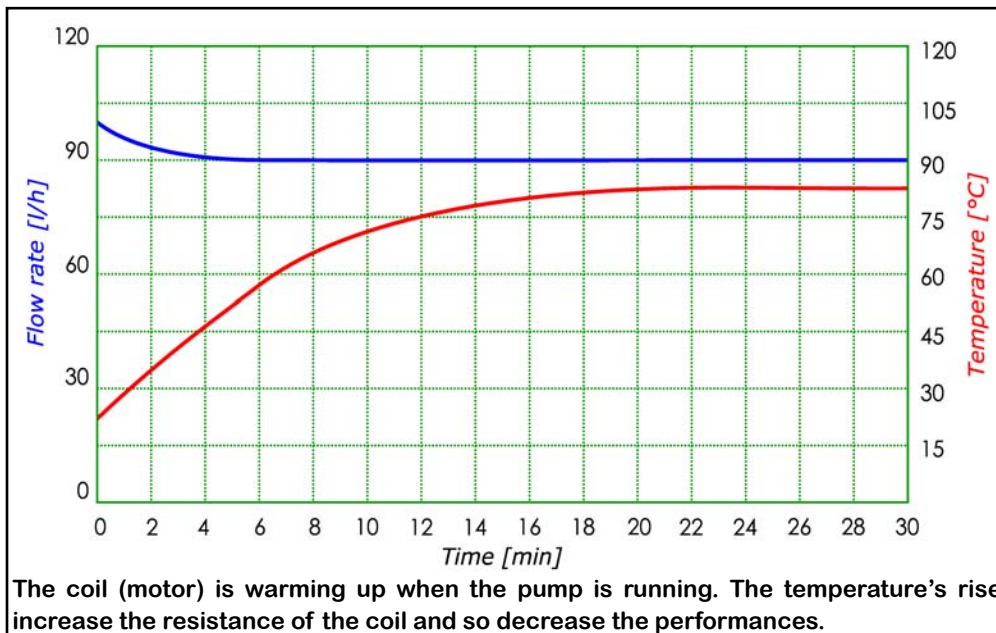
Maximum pressure	: 11.5 [bar]
Maximum flow rate	: 90 [l/h]
Maximum suction height	: 1.5 [m]
Viscosity range	: 1...600 [mm ² /s]
Filter	: Mesh 100
Tension	: 230 [V]~ (115 [V])
Frequency	: 50 [Hz], (60 [Hz])
Electrical connection	: DIN 43650 A
Power	: 120 [W]
Weight	: ~1110 [g]
Temperature	: 1 [°C]...50 [°C]
Insulation	: Class H-100% ED / 20 [°C] Class I
Approvals	: EC conform to EN60335-1 (ED.4), CB cert. Nr. CH-4364, (UL on request)
EMC	: Conform to 2004/108/EC
RoHS	: Conform to 2002/95/EC



Performances :



Heating & flow :



Additional information :

Materials in contact with the liquid :

Connectors : 1.4305
 Piston : 1.4057 + Cr
 Springs : 1.4401
 Valves tips : HNBR
 O-ring : NBR

Large choice of materials & options



Electric wiring diagram :

Fuse is necessary

