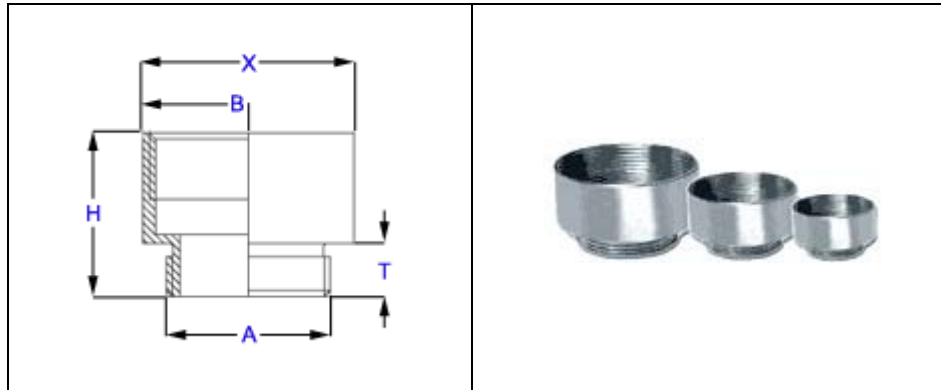


Nickel Plated Brass Adapters – PG to METRIC Threads

These **ADAPTERS** will allow you to switch between NPT, PG & Metric threads to fit your specific application needs. The use of a **THREADED ADAPTER** is usually the quickest, easiest & most affordable solution to adapt, reduce or enlarge the thread size on any threaded connector or plug.



TECHNICAL INFORMATION

SPECIFICATIONS

MATERIALS: Nickel Plated Brass
O-Ring: Buna-N / Viton® (Optional)

OPERATING TEMPERATURE

-40°F to 212°F
 (-40°C to 100°C)

ADAPTERS - PG to METRIC THREADS

Part Nr.	Male Thread	Female Thread	Wrench Flats	Thread Length	Height
	A	B	W	T	H
AP-0916-BR	PG 9	M16 x 1,5	.79 (20)	.24 (6)	.41 (10.5)
AP-1120-BR	PG 11	M20 x 1,5	.87 (22)	.26 (6.5)	.49 (12.5)
AP-1320-BR	PG 13	M20 x 1,5	.87 (22)	.26 (6.5)	.49 (12.5)
AP-1625-BR	PG 16	M25 x 1,5	1.06 (27)	.26 (6.5)	.57 (14.5)

[NOTE : TECHNICAL SPECIFICATIONS MAY CHANGE, WITHOUT ANY PRIOR NOTIFICATION]



NOVAMAX INDUSTRIAL INTL LLC 8200 S Quebec St Suite A-3 Englewood, CO 80112
 Phone (303) 470-7226 Fax (303) 470-5773 Toll-Free 1-800-594-3380 www.novamaxindustrial.com