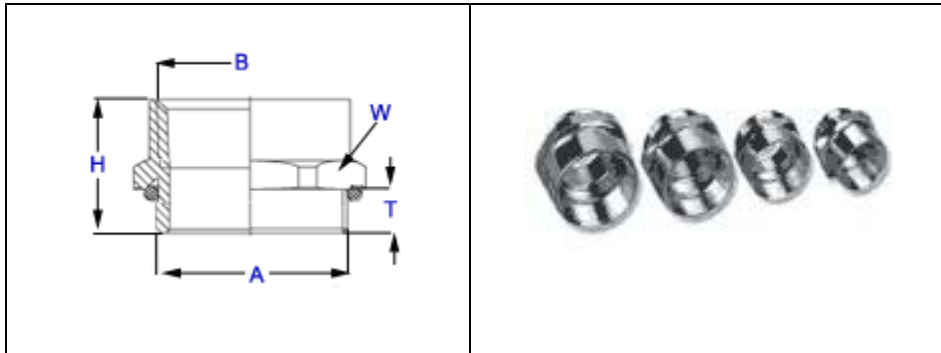


## Nickel Plated Brass Adapters – PG to NPT Threads

These **ADAPTERS** will allow you to switch between NPT, PG & Metric threads to fit your specific application needs. The use of a **THREADED ADAPTER** is usually the quickest, easiest & most affordable solution to adapt, reduce or enlarge the thread size on any threaded connector or plug.



### TECHNICAL INFORMATION

#### SPECIFICATIONS

**MATERIALS:** Nickel Plated Brass / Aluminum (AL)  
**O-Ring:** Buna-N / Viton® (Optional)

#### OPERATING TEMPERATURE

-40°F to 212°F  
 (-40°C to 100°C)

## ADAPTERS - PG to NPT THREADS

| Part Nr.          | Male Thread | Female Thread | Wrench Flats | Thread Length | Height     |
|-------------------|-------------|---------------|--------------|---------------|------------|
|                   | A           | B             | W            | T             | H          |
| <b>AG-0912-AL</b> | PG 9        | 1/2" NPT      | .94 (24)     | .25 (6)       | .94 (24)   |
| <b>AG-1112-BR</b> | PG 11       | 1/2" NPT      | .94 (24)     | .24 (6)       | .89 (22.7) |
| <b>AG-1312-BR</b> | PG 13.5     | 1/2" NPT      | .94 (24)     | .26 (6.5)     | .93 (23.5) |
| <b>AG-1612-BR</b> | PG 16       | 1/2" NPT      | .94 (24)     | .26 (6.5)     | .91 (23)   |
| <b>AG-2112-BR</b> | PG 21       | 1/2" NPT      | 1.18 (30)    | .27 (7)       | .59 (15)   |
| <b>AG-2134-BR</b> | PG 21       | 3/4" NPT      | 1.18 (30)    | .27 (7)       | .94 (24)   |
| <b>AG-2910-BR</b> | PG 29       | 1" NPT        | 1.57 (40)    | .31 (8)       | .79 (20)   |

[ NOTE : TECHNICAL SPECIFICATIONS MAY CHANGE, WITHOUT ANY PRIOR NOTIFICATION ]



**NOVAMAX INDUSTRIAL INTL LLC** 8200 S Quebec St Suite A-3 Englewood, CO 80112  
 Phone (303) 470-7226 Fax (303) 470-5773 Toll-Free 1-800-594-3380 [www.novamaxindustrial.com](http://www.novamaxindustrial.com)

