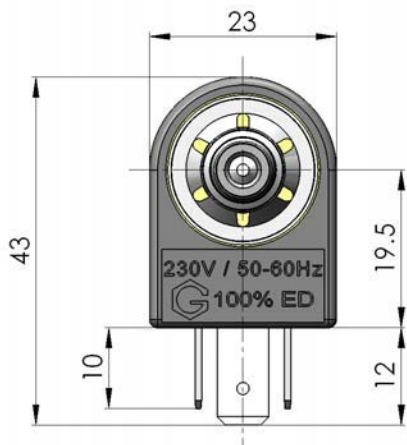
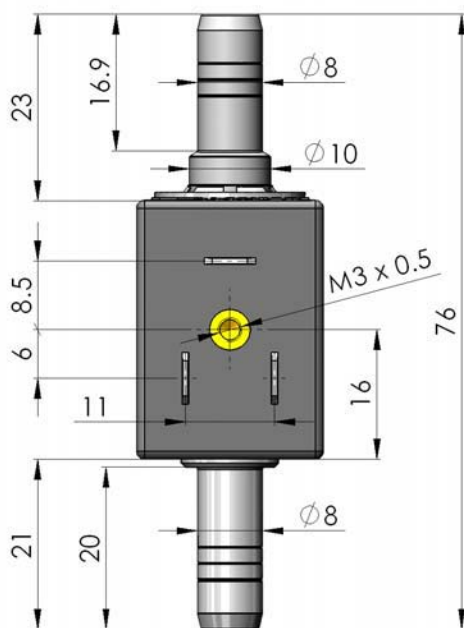


Electromagnetic pump

EMX 08 BD

Technical data



Application fields :

- Household equipment
- Medical and laboratory devices
- Cleaning equipment
- Printing systems
- Lubrication
- Drink dispensing

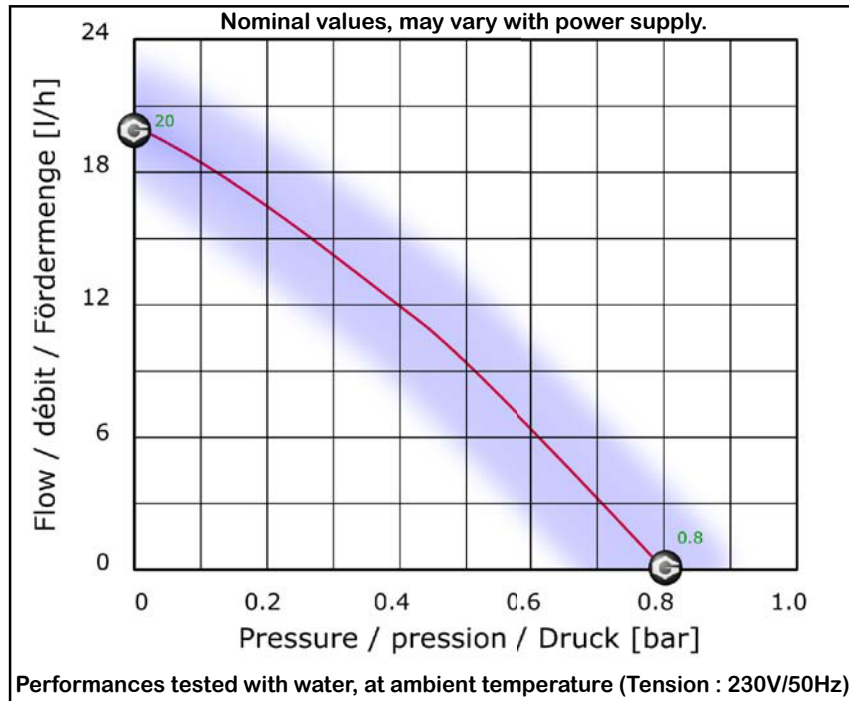
The EMX 08 BD is exactly the same pump as the EMX 08 but with higher flow performances. It makes a first choice product for applications looking for good flow output with small footprint.

Nominal rated data :

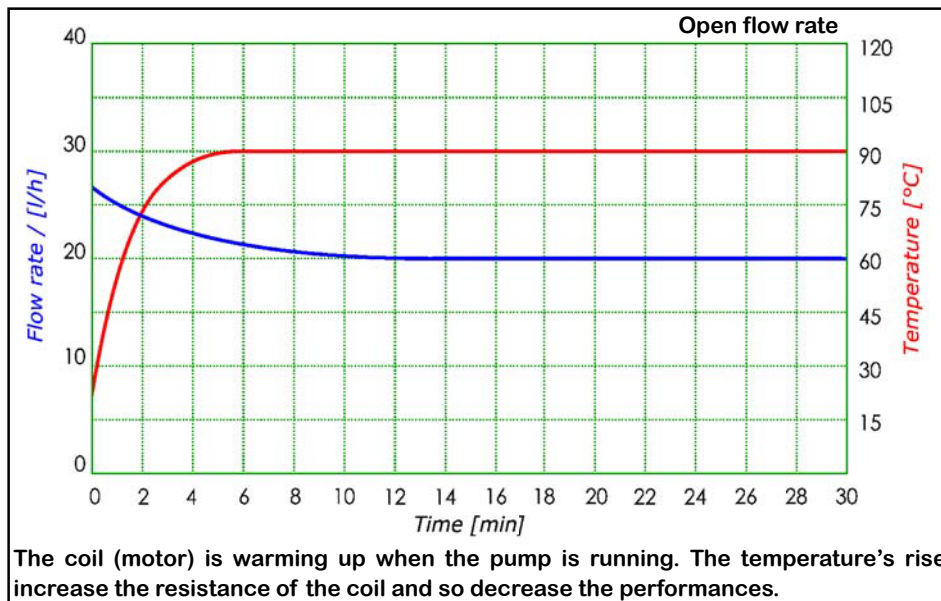
Maximum pressure	: 0.8 [bar]
Maximum flow rate	: 20 [l/h]
Maximum suction height	: 3 [m]
Viscosity range	: 1...600 [mm ² /s]
Filter	: Mesh 100
Tension	: 230 [V]~ (110 [V], 24 [V], 12 [V])
Frequency	: 50 [Hz], (60 [Hz])
Electrical connection	: 3 x 6.3 [mm] x 0.8 [mm]
Power	: 18 [W]
Weight	: ~90 [g]
Temperature	: 1...50 [°C]
Insulation	: Class F-100% ED / 20[°C] (Class H on request) Class I
Noise level (1m)	: Open flow = ~40 [dB(A)] Max. pressure = ~29 [dB(A)]
Approvals	: EC conform to EN60335-1 (ED.4), CB cert. Nr. CH-4364, (UL on request)
EMC	: Conform to 2004/108/EC
RoHS	: Conform to 2002/95/EC



Performances :



Heating & flow :



Additional information :

Materials in contact with the liquid :

Body & connectors : 1.4057

Piston : 1.4057 + Cr

Springs : 1.4401

Valves tips : PTFE

Large choice of materials & options



Electric wiring diagram :

Fuse and diode are necessary

