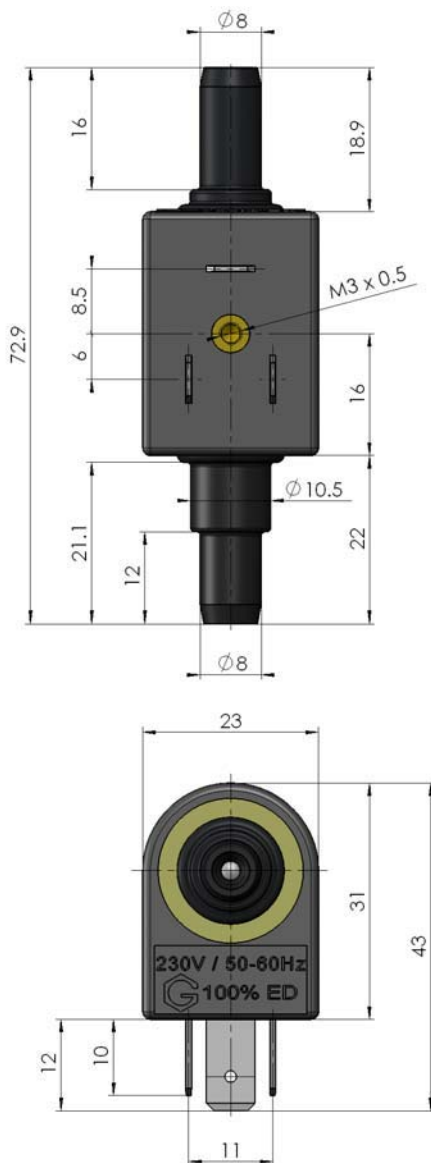


## Electromagnetic pump

# EMS 10

## Technical data



## Application fields :

- Household equipment
- Medical and laboratory devices
- Cleaning equipment
- Printing systems
- Lubrication

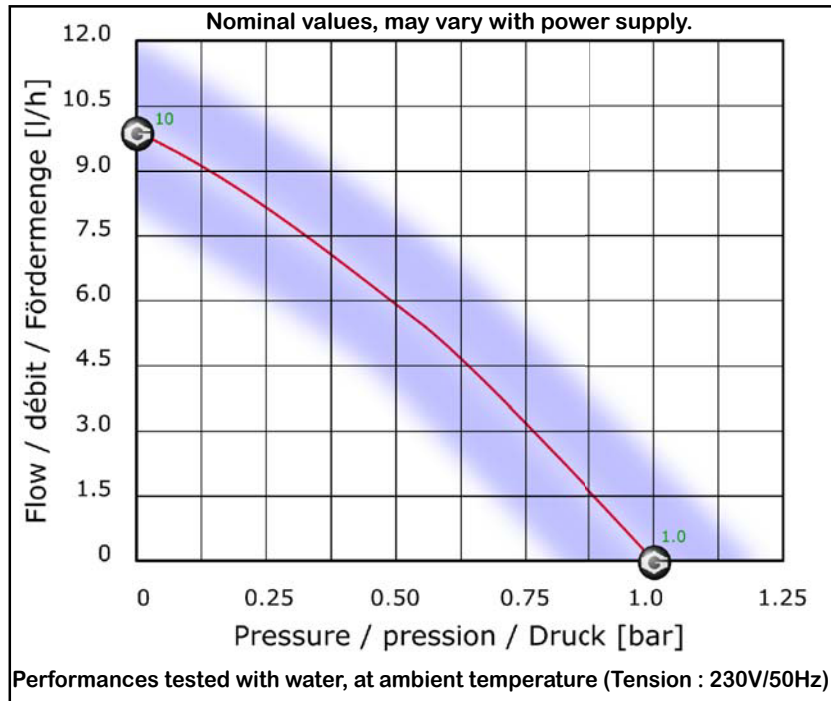
The reference for water condensation removal in AC applications ! Copied but never equalled ! The plastic body is injected in one part which includes the piston's sleeve. A great advantage for the sliding performances of the piston and better ability to resist to sticking of piston by long seasonal stops. Not limited to this domain, many other applications already are advantaged by this high-tech pump !

## Nominal rated data :

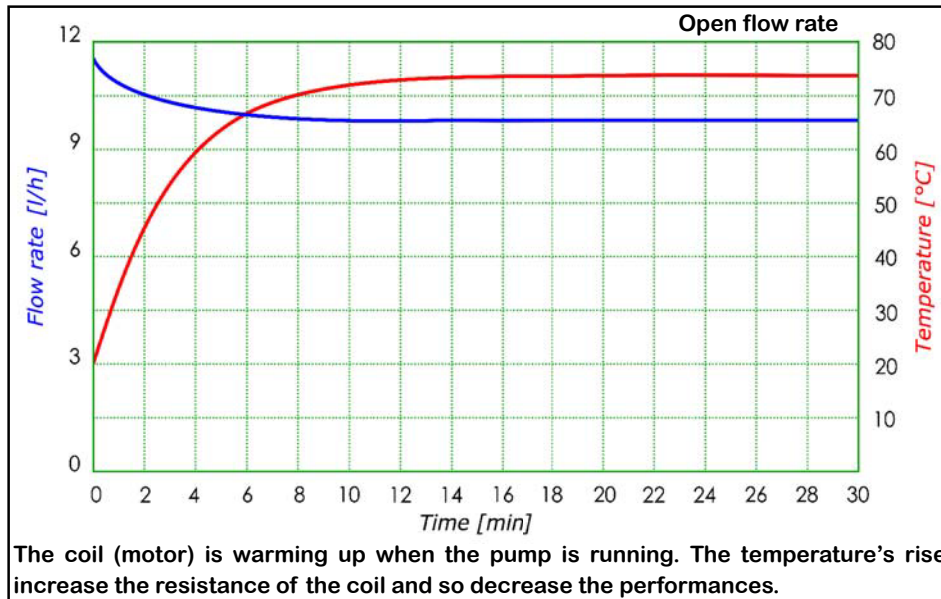
Maximum pressure	: 1 [bar]
Maximum flow rate	: 10 [l/h]
Maximum suction height	: 3 [m]
Viscosity range	: 1...600 [mm <sup>2</sup> /s]
Filter	: Mesh 100
Tension	: 230 [V]~ (110 [V], 24 [V], 12 [V])
Frequency	: 50 [Hz], (60 [Hz])
Electrical connection	: 3 x 6.3 [mm] x 0.8 [mm]
Power	: 18 [W]
Weight	: ~95 [g]
Temperature	: 1...50 [°C]
Insulation	: Class F-100% ED / 20 [°C] (Class H on request) Class I
Approvals	: EC conform to EN60335-1 (ED.4), CB cert. Nr. CH-4364, (UL on request)
EMC	: Conform to 2004/108/EC
RoHS	: Conform to 2002/95/EC



## Performances :



## Heating & flow :



## Additional information :

### Materials in contact with the liquid :

Body & connectors : Hostaform

Piston : 1.4057

Springs : 1.4401

Valves tips : NBR

*Large choice of materials & options*



### Electric wiring diagram :

Fuse and diode are necessary

