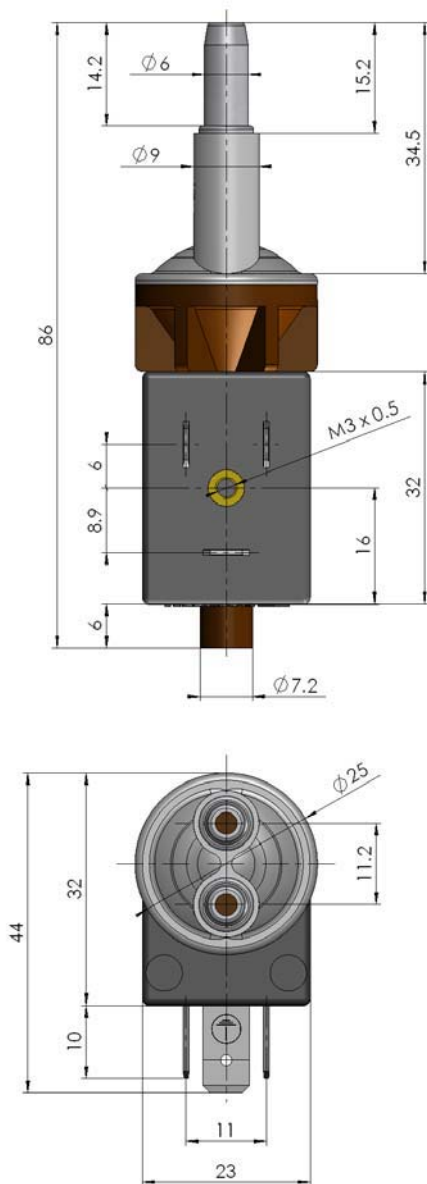


Electromagnetic pump

EDS 03

Technical data



Application fields :

- Household equipment
- Medical and laboratory devices
- Printing systems
- Lubrication

The EDS 03 is a new generation of diaphragm pump ideally suited for transfer of various aggressive or light polluted liquids. Low flow and low pressure but the pump is able to run dry and work with air, for sampling or circulation for example.

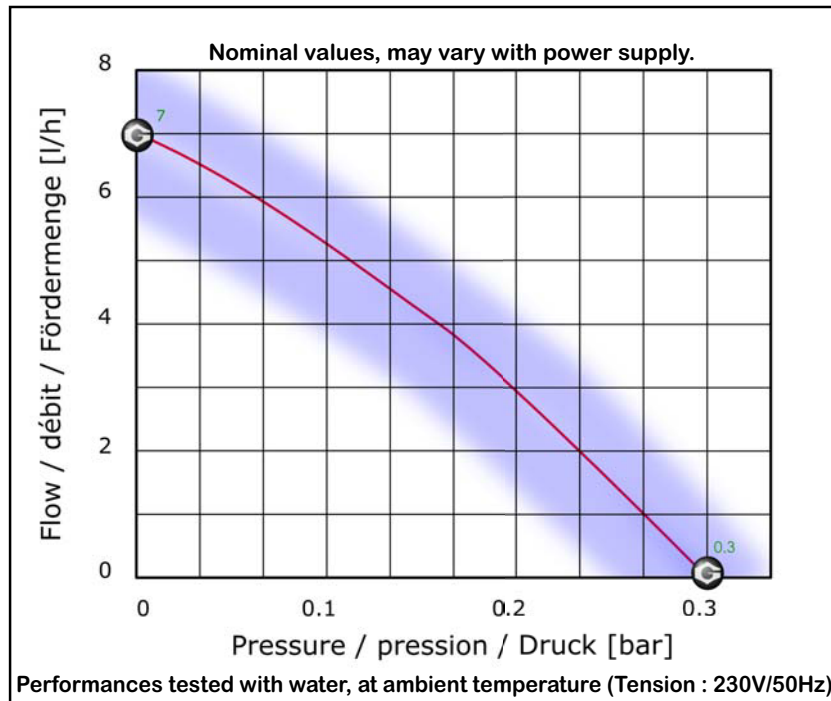
No maintenance and long lifetime, give it a try !
You won't be disappointed.

Nominal rated data :

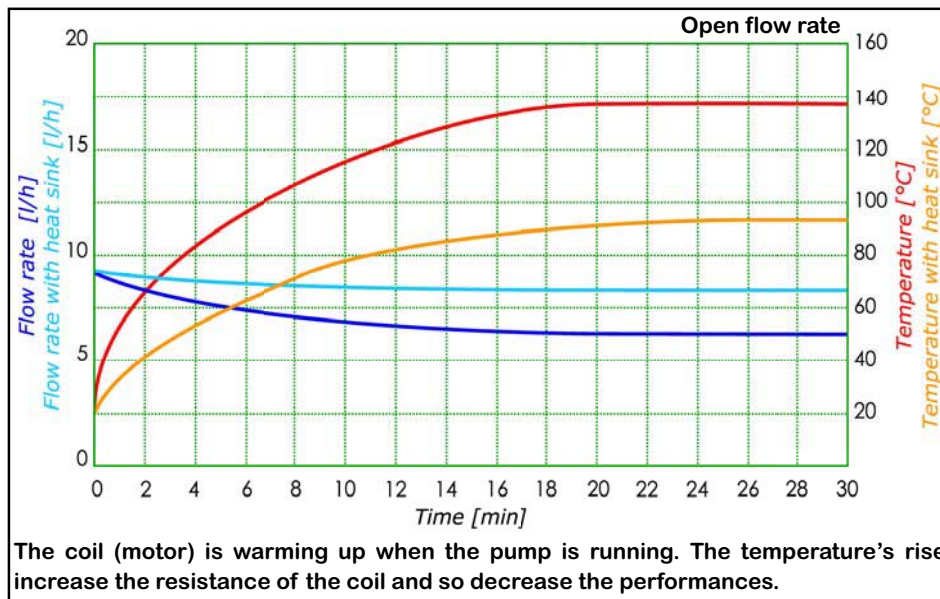
Maximum pressure	: 0.3 [bar]
Maximum flow rate	: 7 [l/h]
Maximum suction height	: 1.5 [m]
Viscosity range	: 1...600 [mm ² /s]
Filter	: Mesh 100
Tension	: 230 [V]~ (110 [V], 24 [V], 12 [V])
Frequency	: 50 [Hz], (60 [Hz])
Electrical connection	: 3 x 6.3 [mm] x 0.8 [mm]
Power	: 18 [W]
Weight	: ~90 [g]
Temperature	: 1...50 [°C]
Insulation	: Class F-100% ED / 20 [°C] with heat sink (Class H on request) Class I
Approvals	: EC conform to EN60335-1 (ED.4), CB cert. Nr. CH-4364, (UL on request)
EMC	: Conform to 2004/108/EC
RoHS	: Conform to 2002/95/EC



Performances :



Heating & flow :



Additional information :

Materials in contact with the liquid :

Connectors : PVDF

Membrane : EPDM

Large choice of materials & options



Electric wiring diagram :

Fuse and diode are necessary

